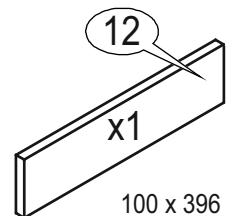
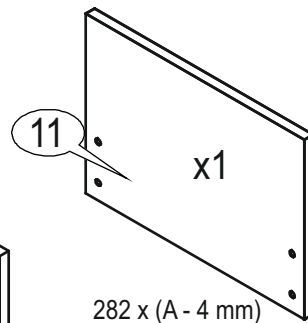
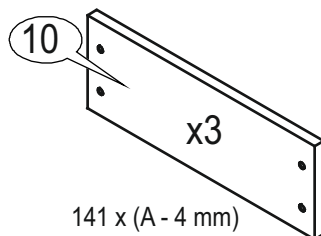
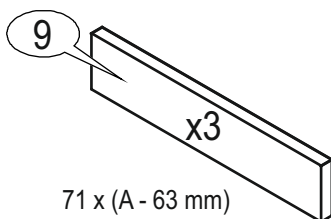
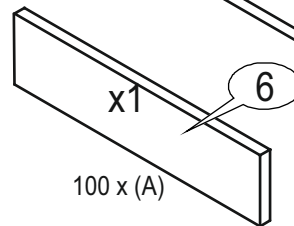
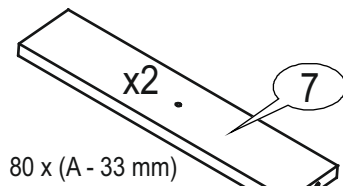
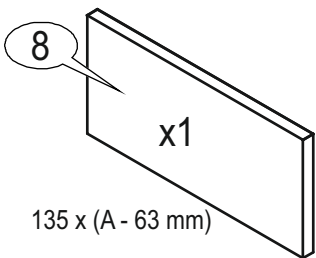
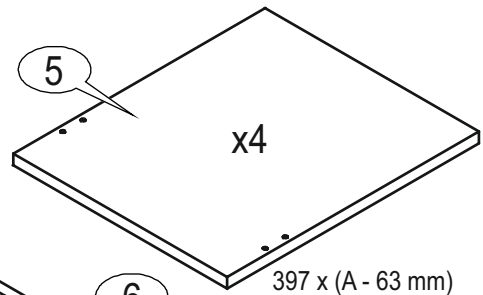
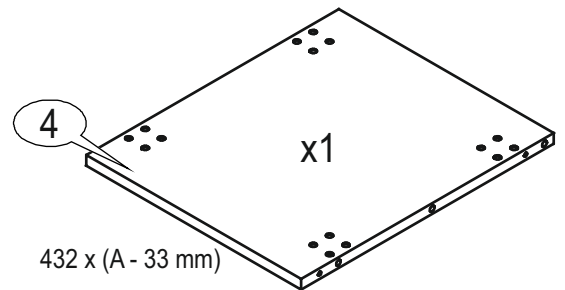
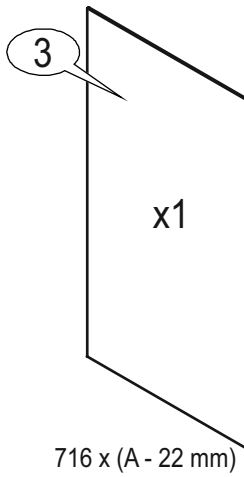
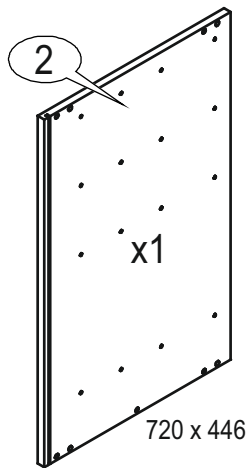
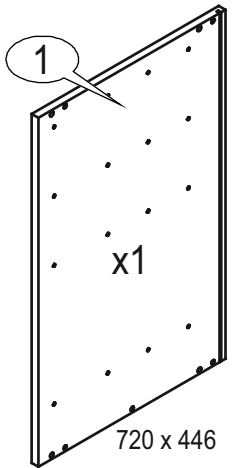
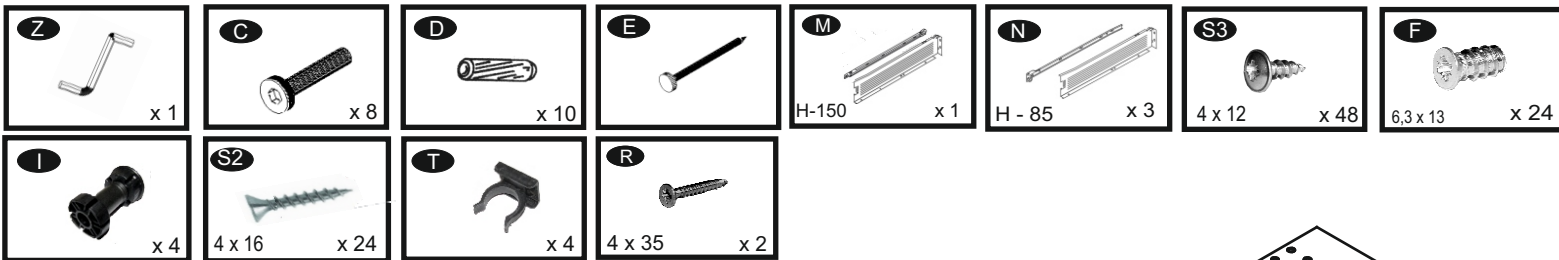
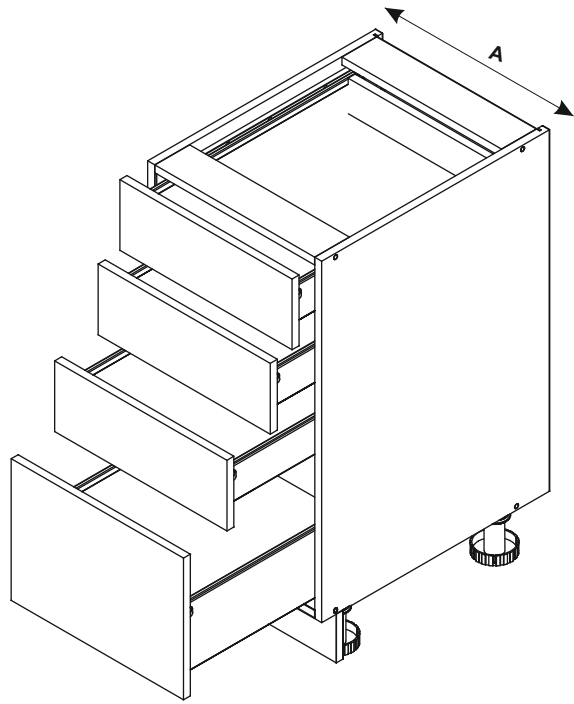
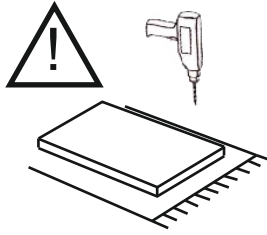
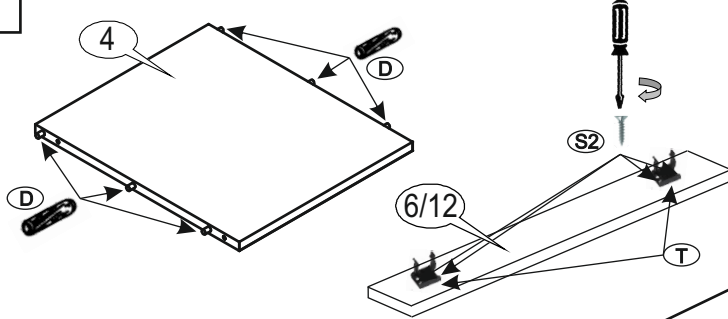


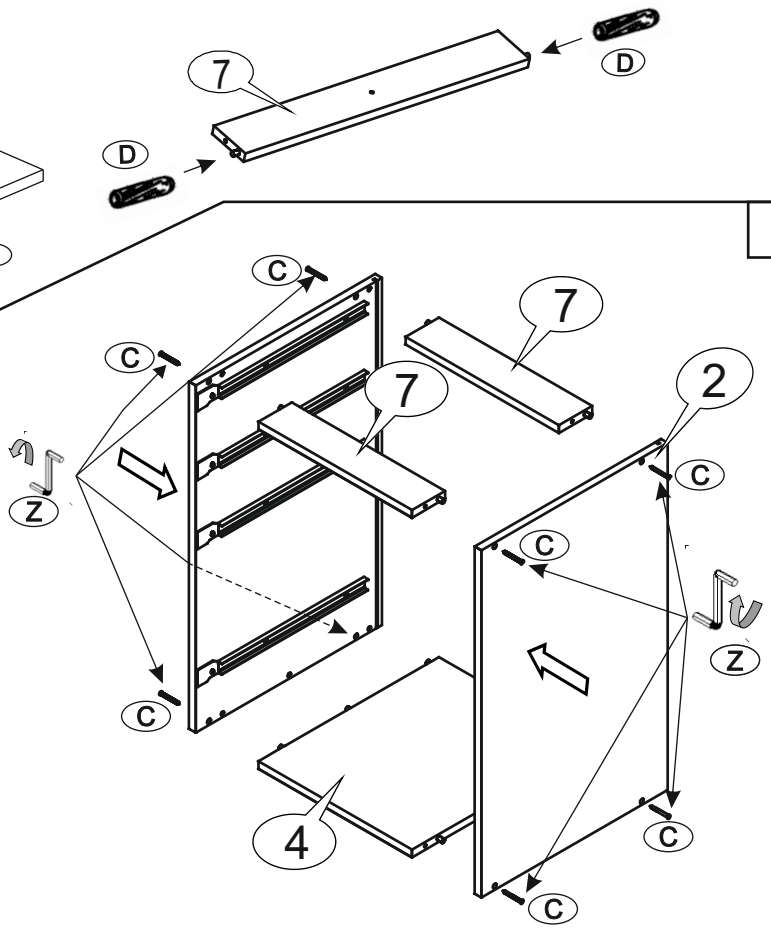
D40 S/4; D60 S/4



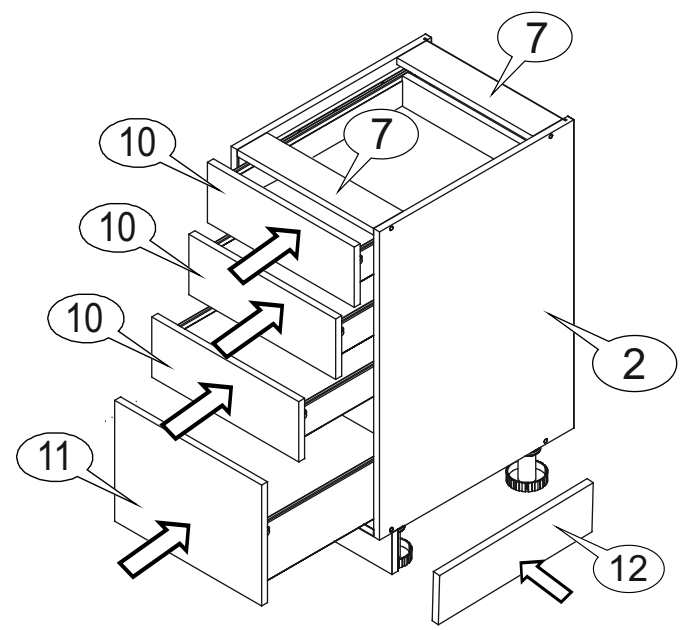
1



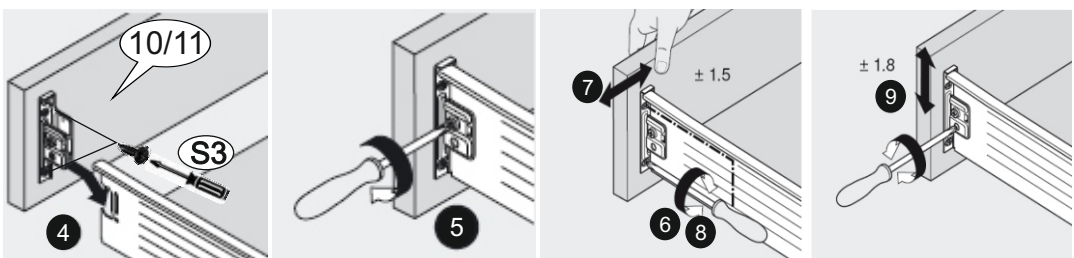
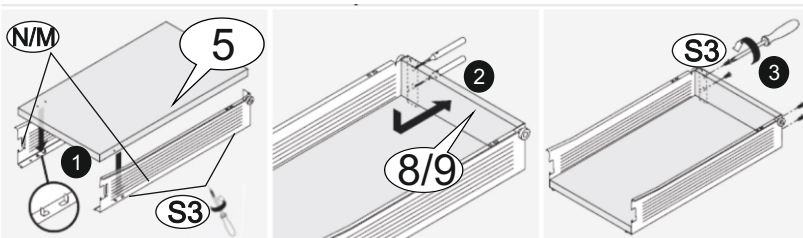
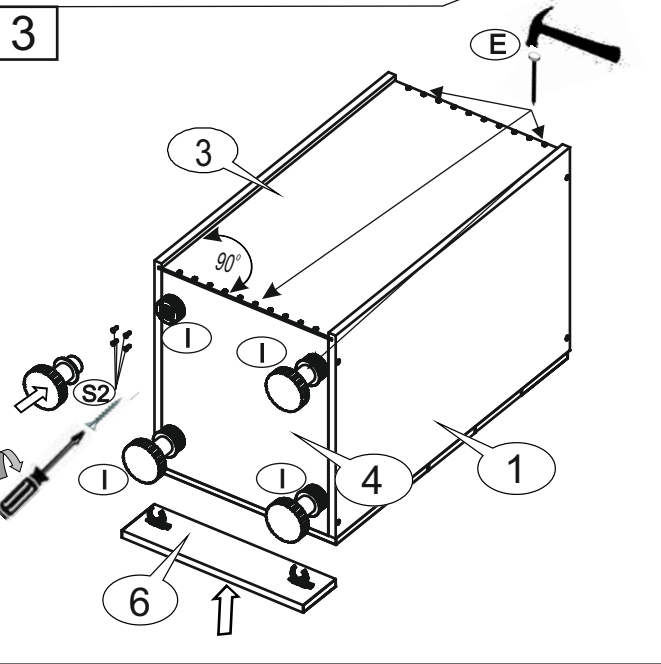
2



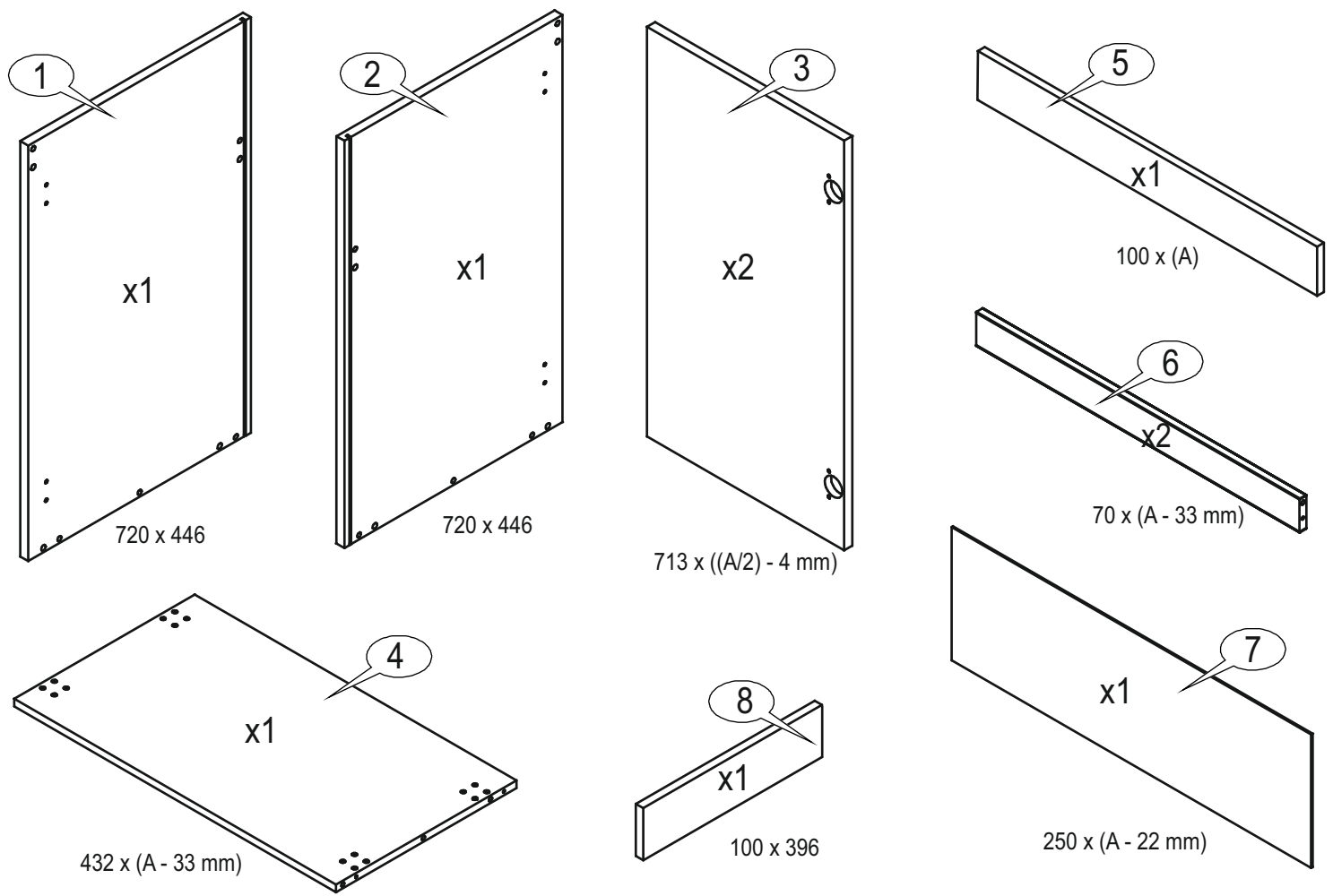
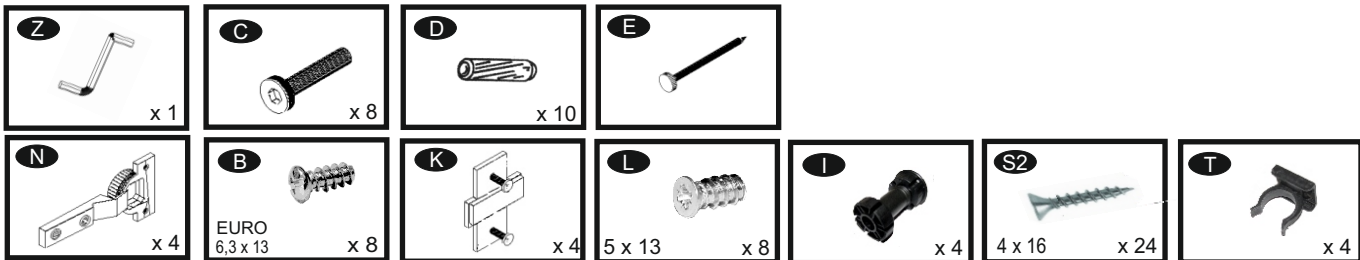
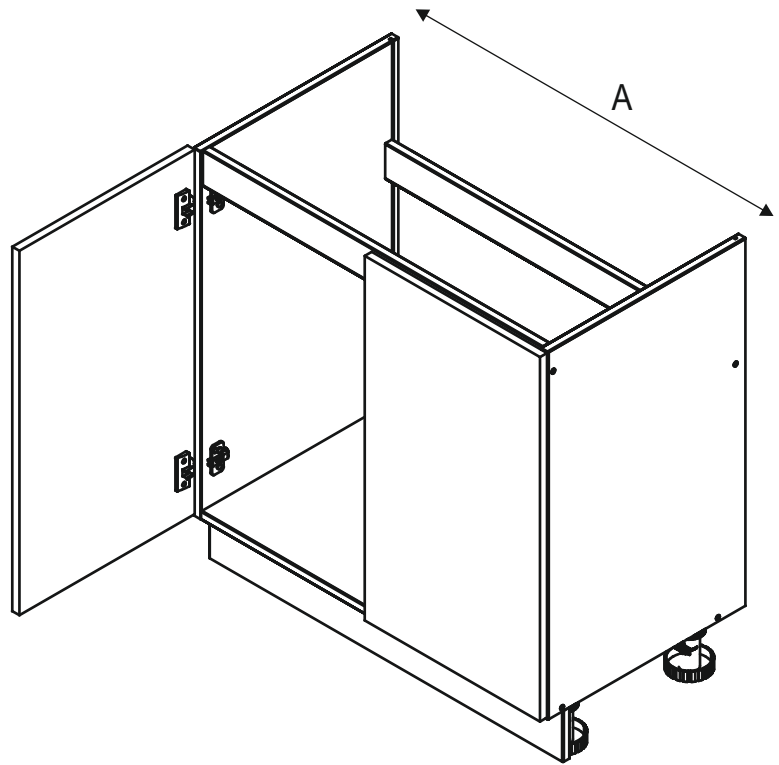
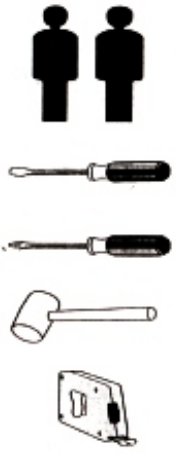
4

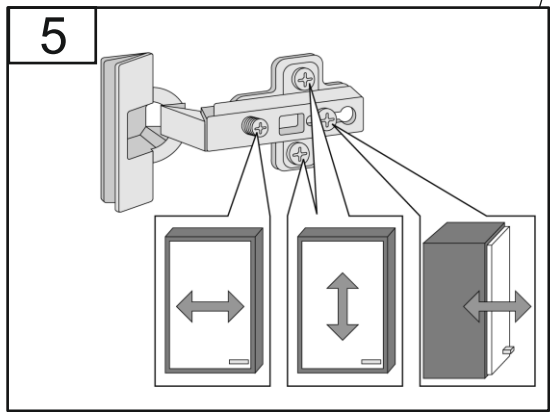
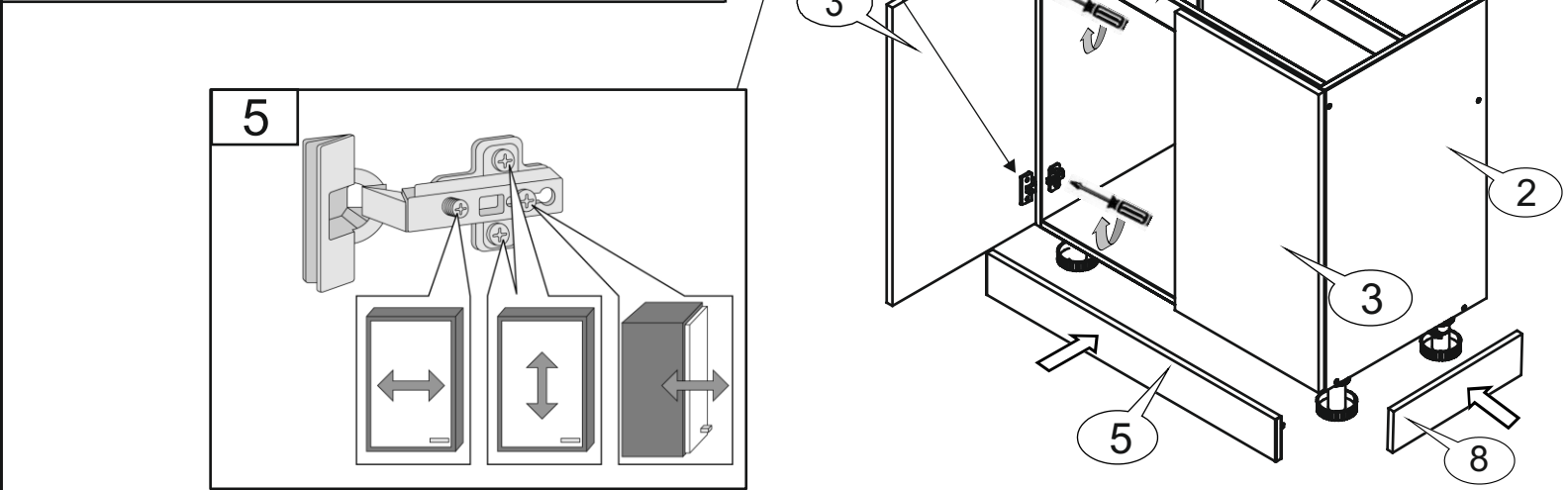
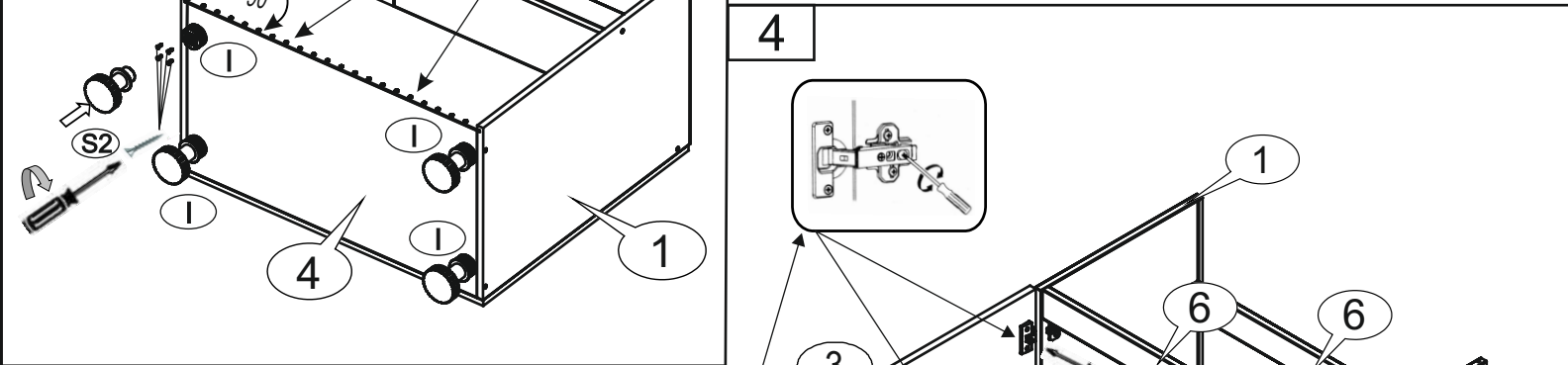
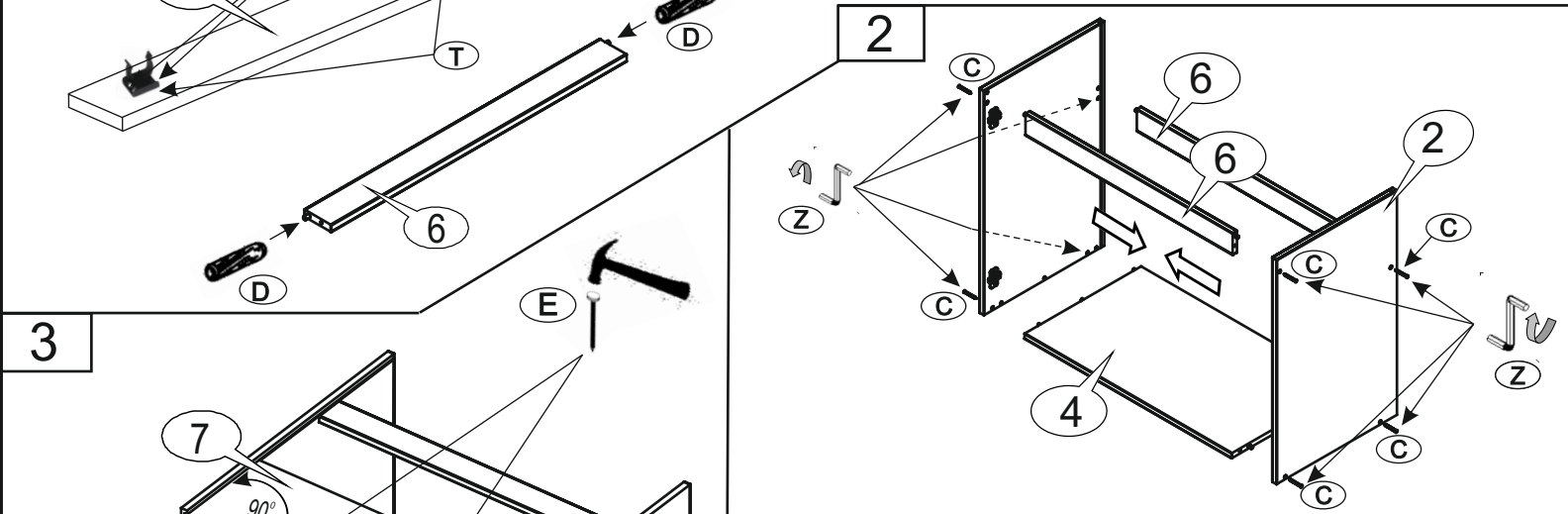
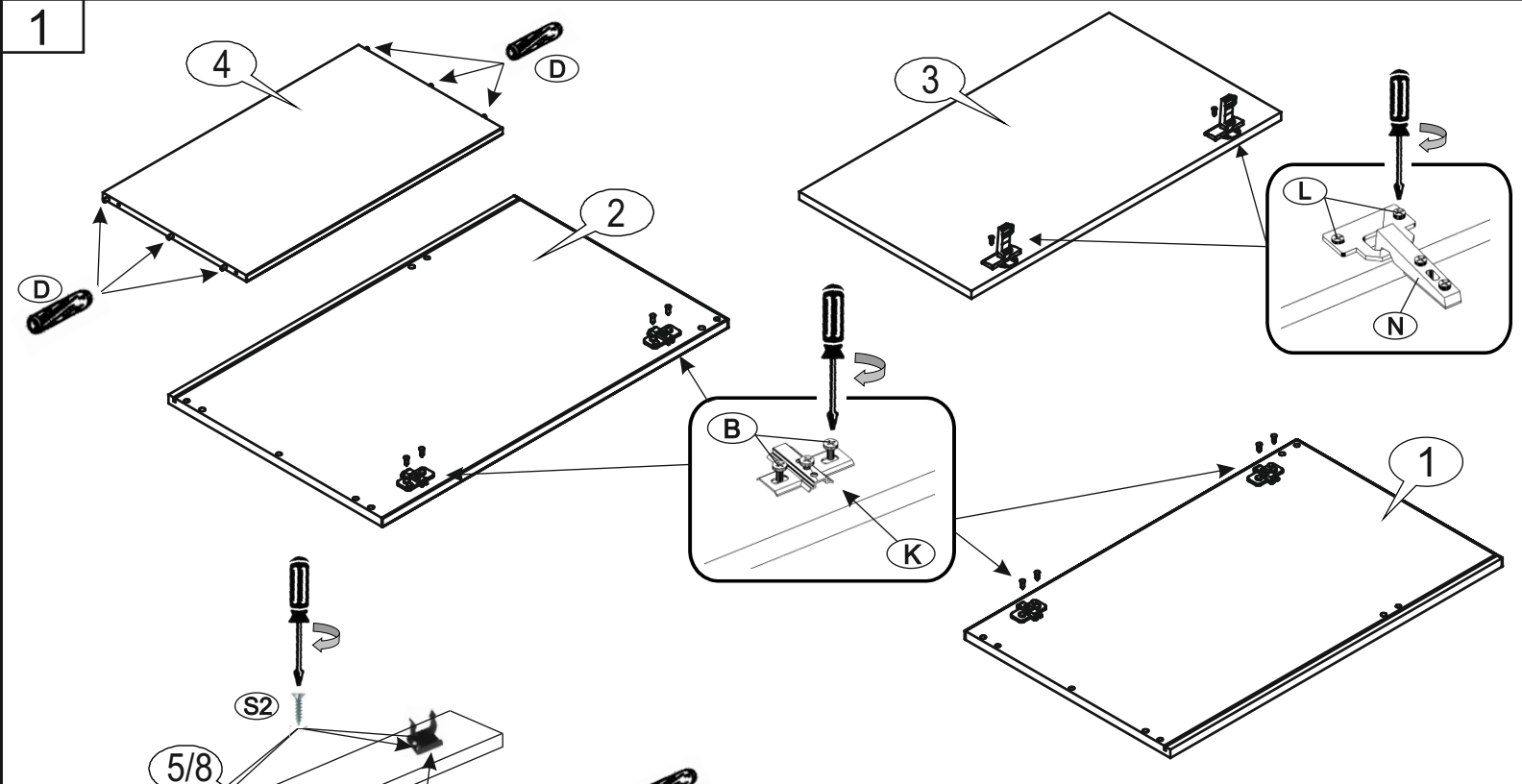


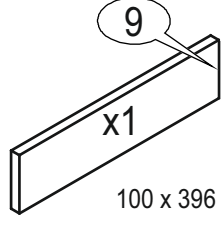
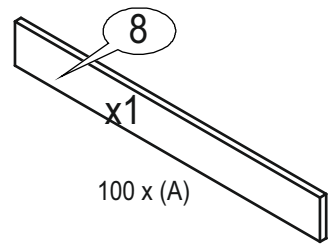
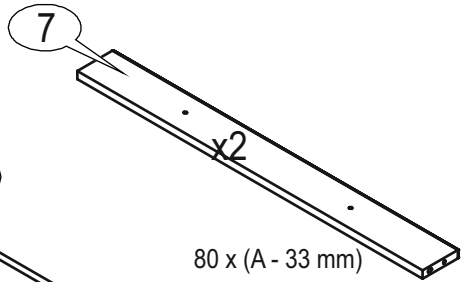
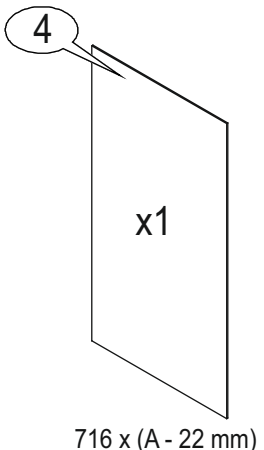
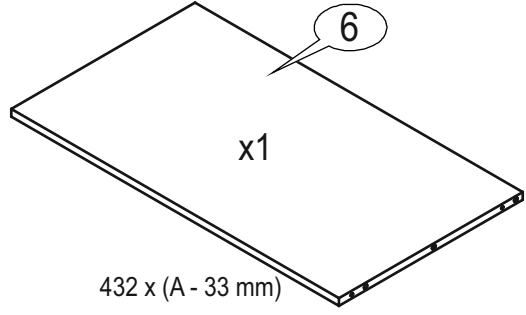
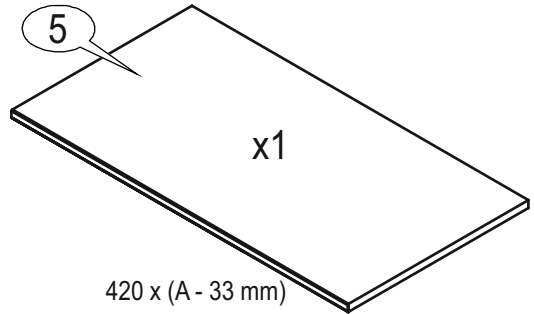
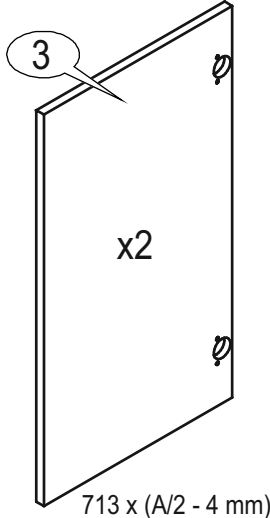
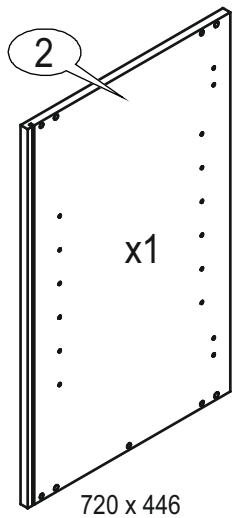
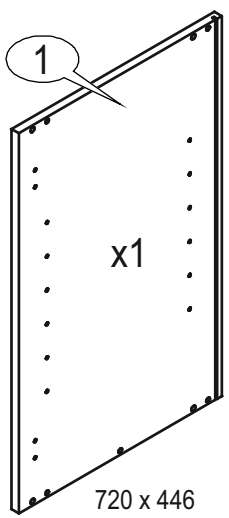
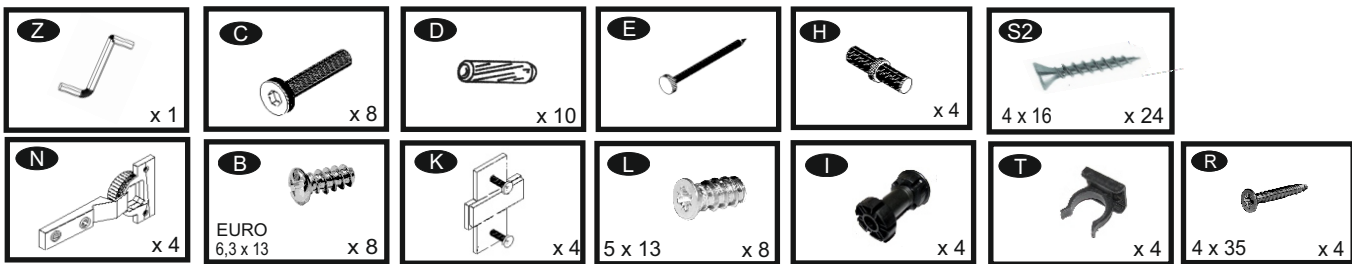
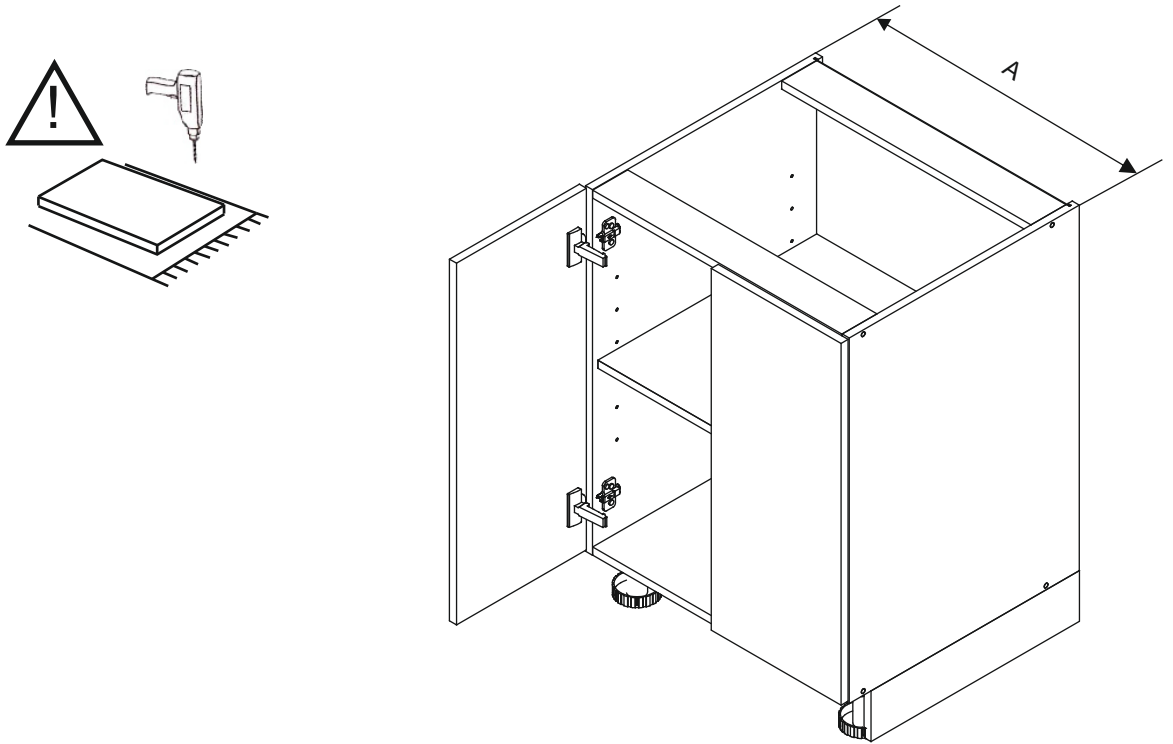
3

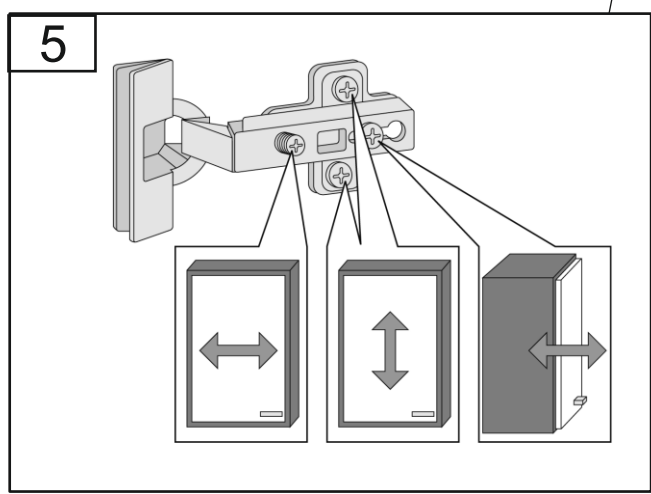
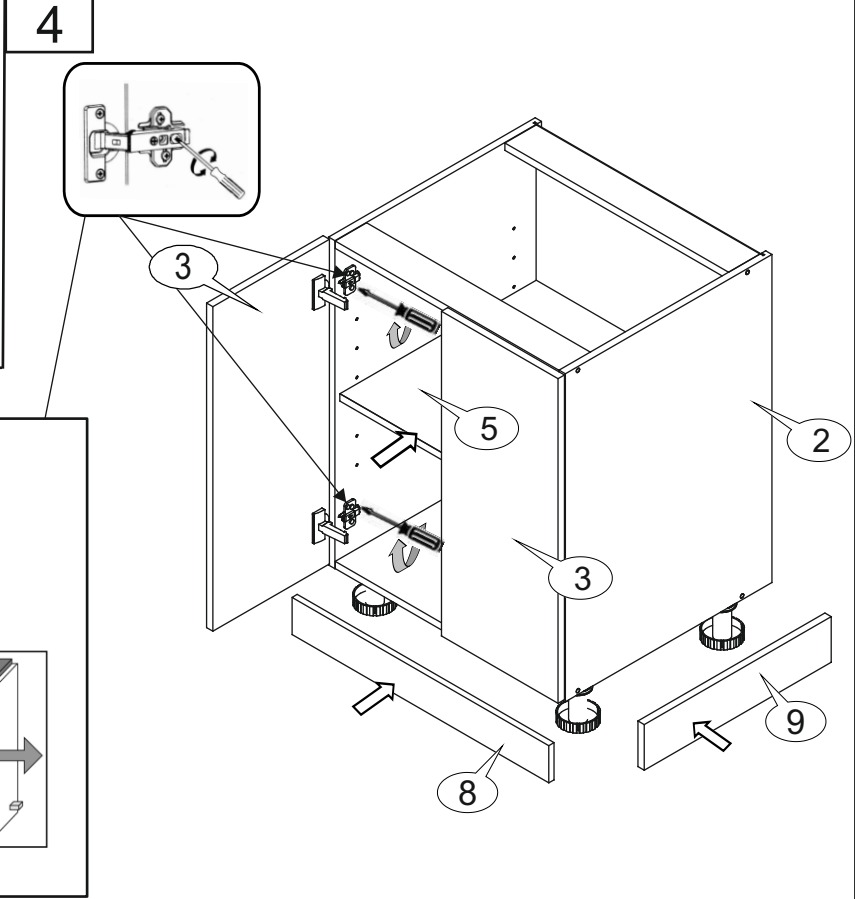
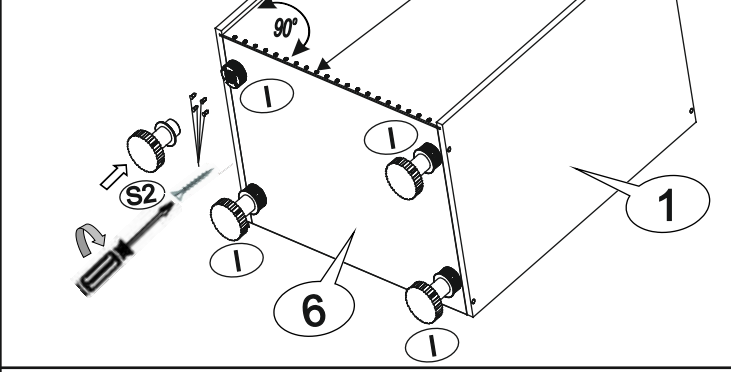
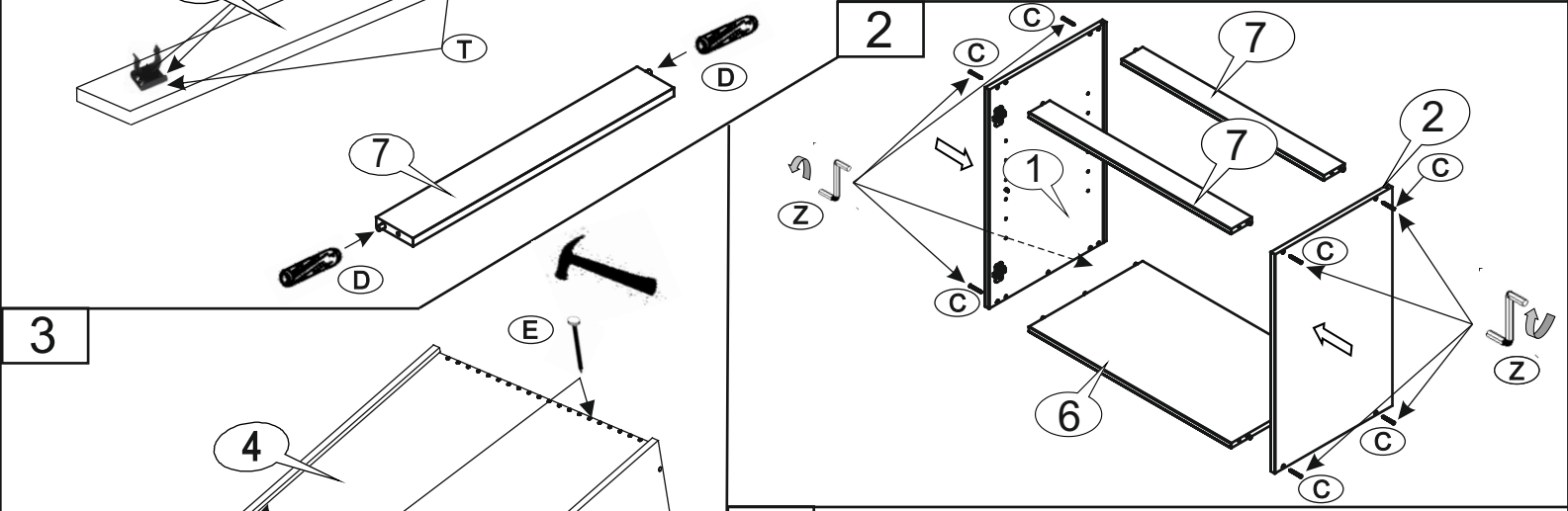
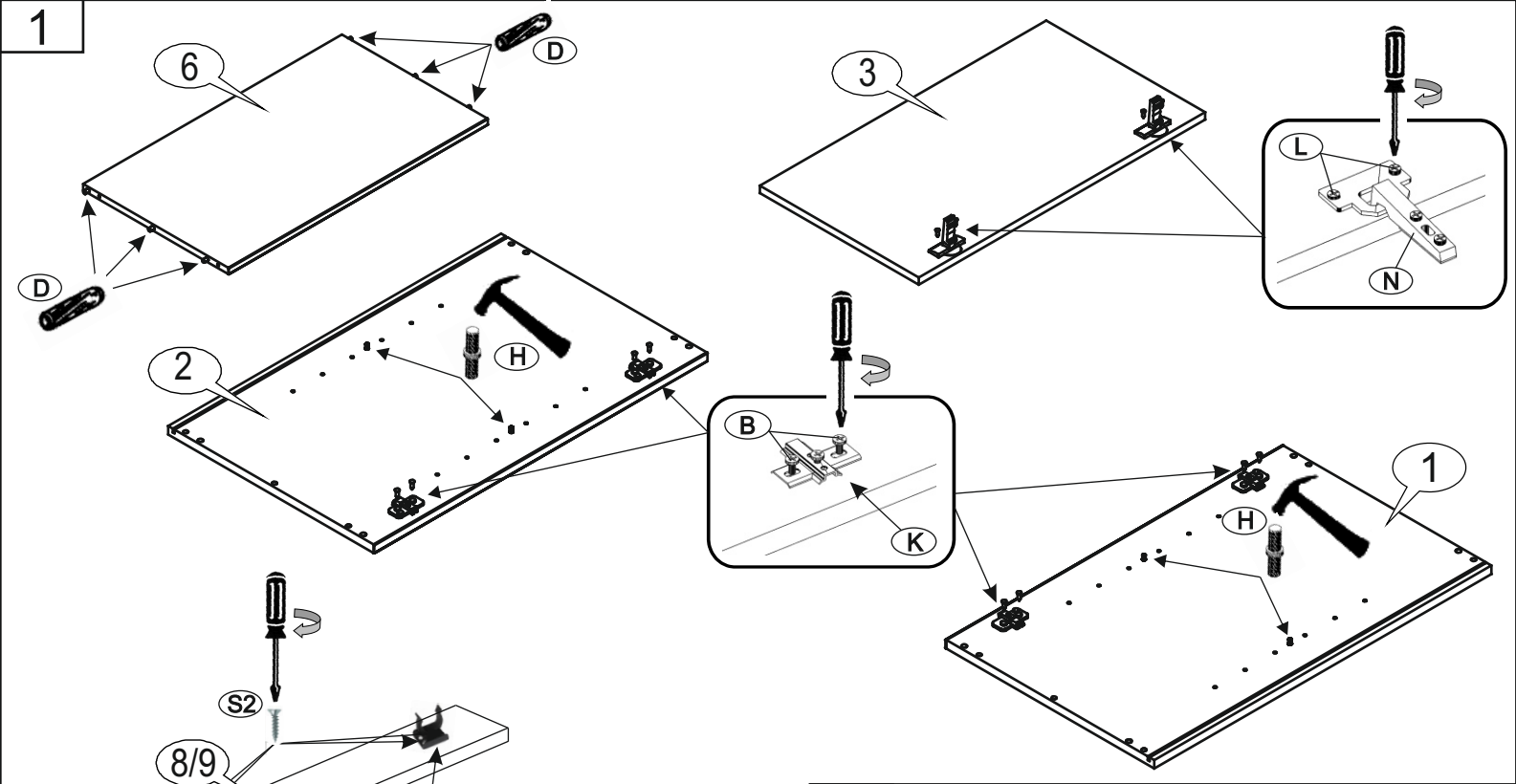


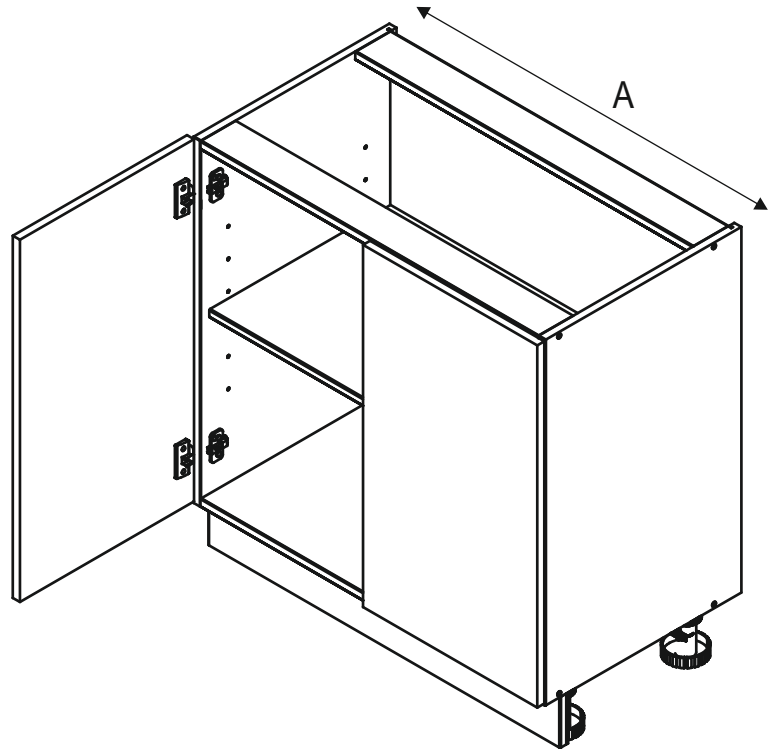
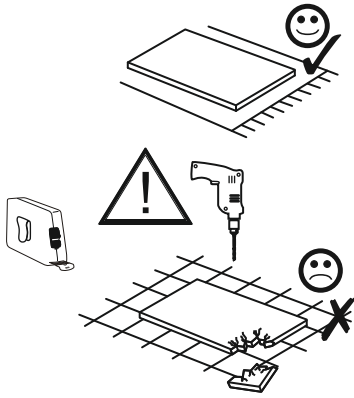
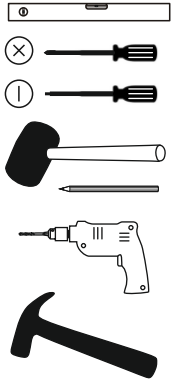
D60ZL; D80ZL



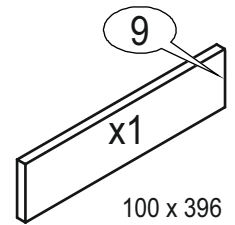
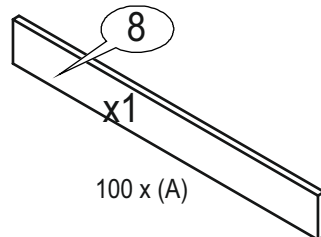
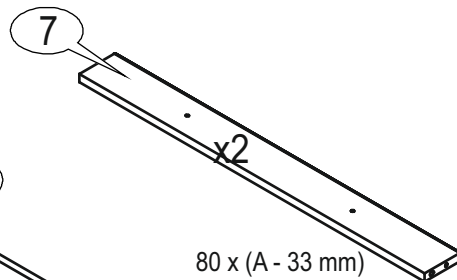
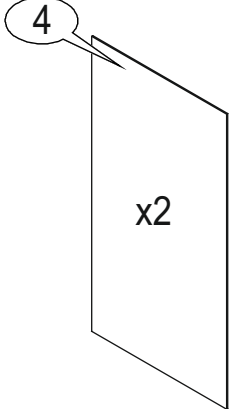
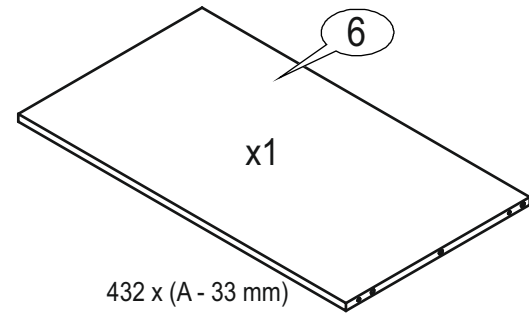
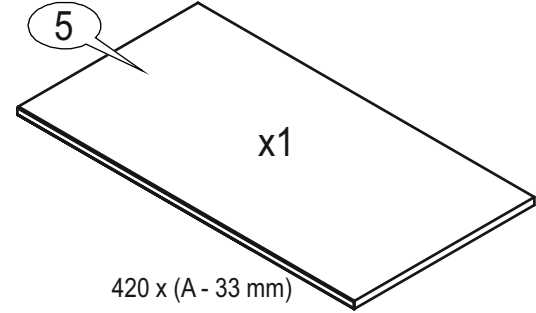
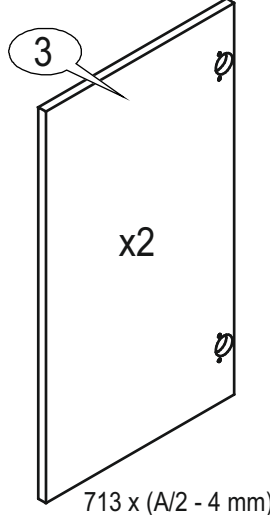
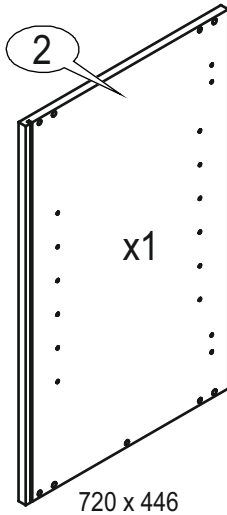
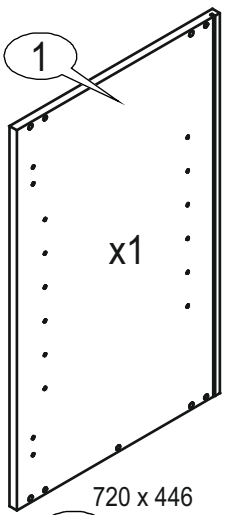








Z x 1	C x 8	D x 10	E x 1	H x 4	S2 4 x 16 x 24	H1 x 1
N x 4	B EURO 6,3 x 13 x 8	K x 4	L 5 x 13 x 8	I x 4	T x 4	R 4 x 35 x 4

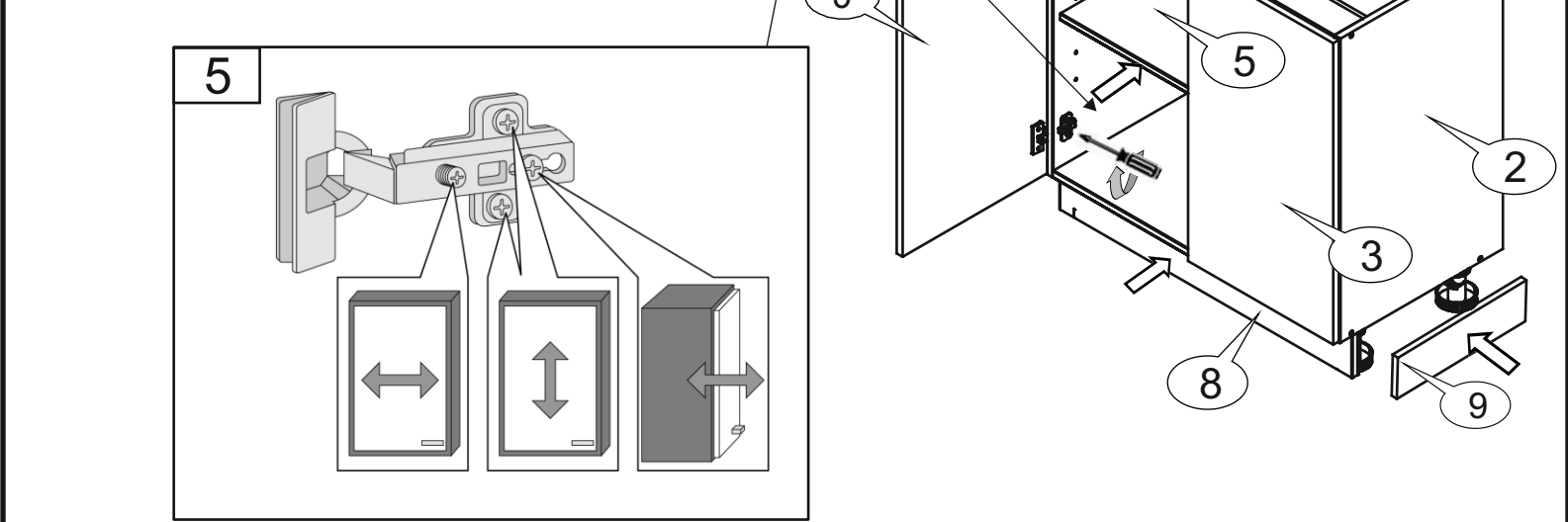
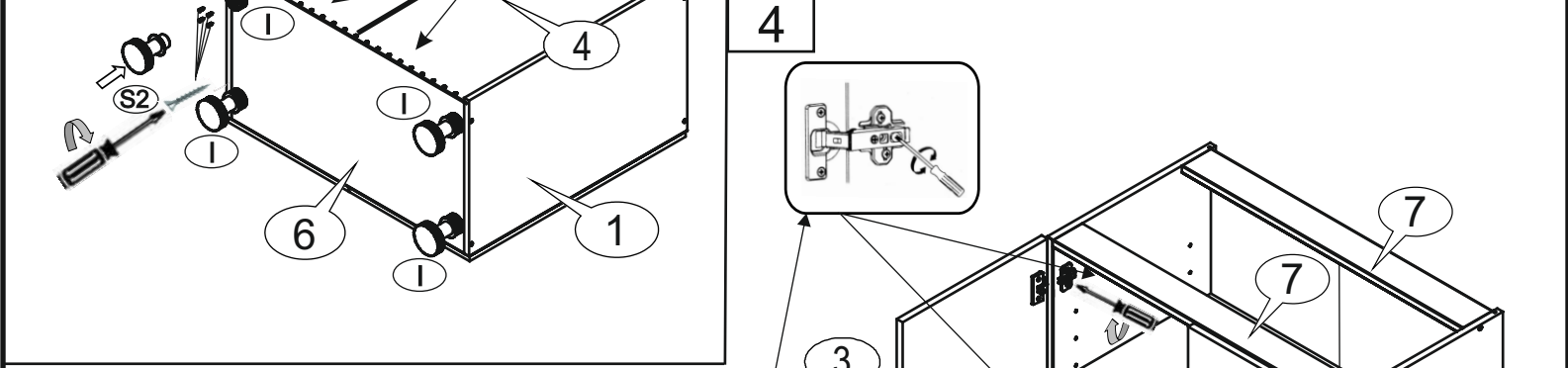
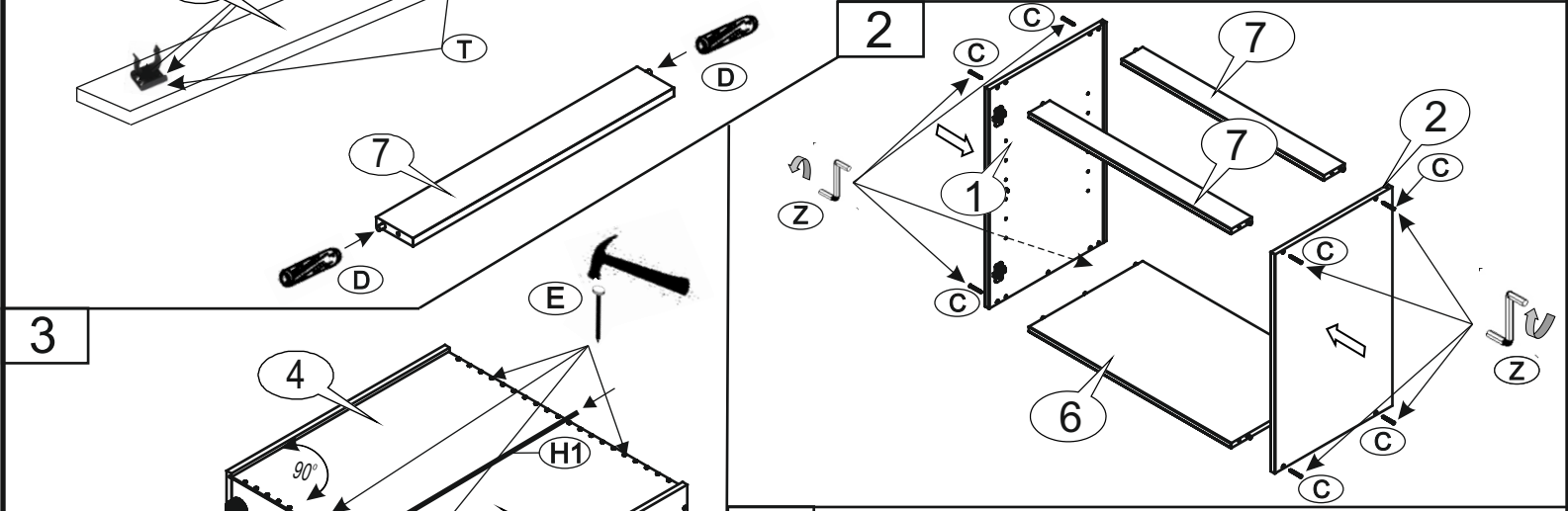
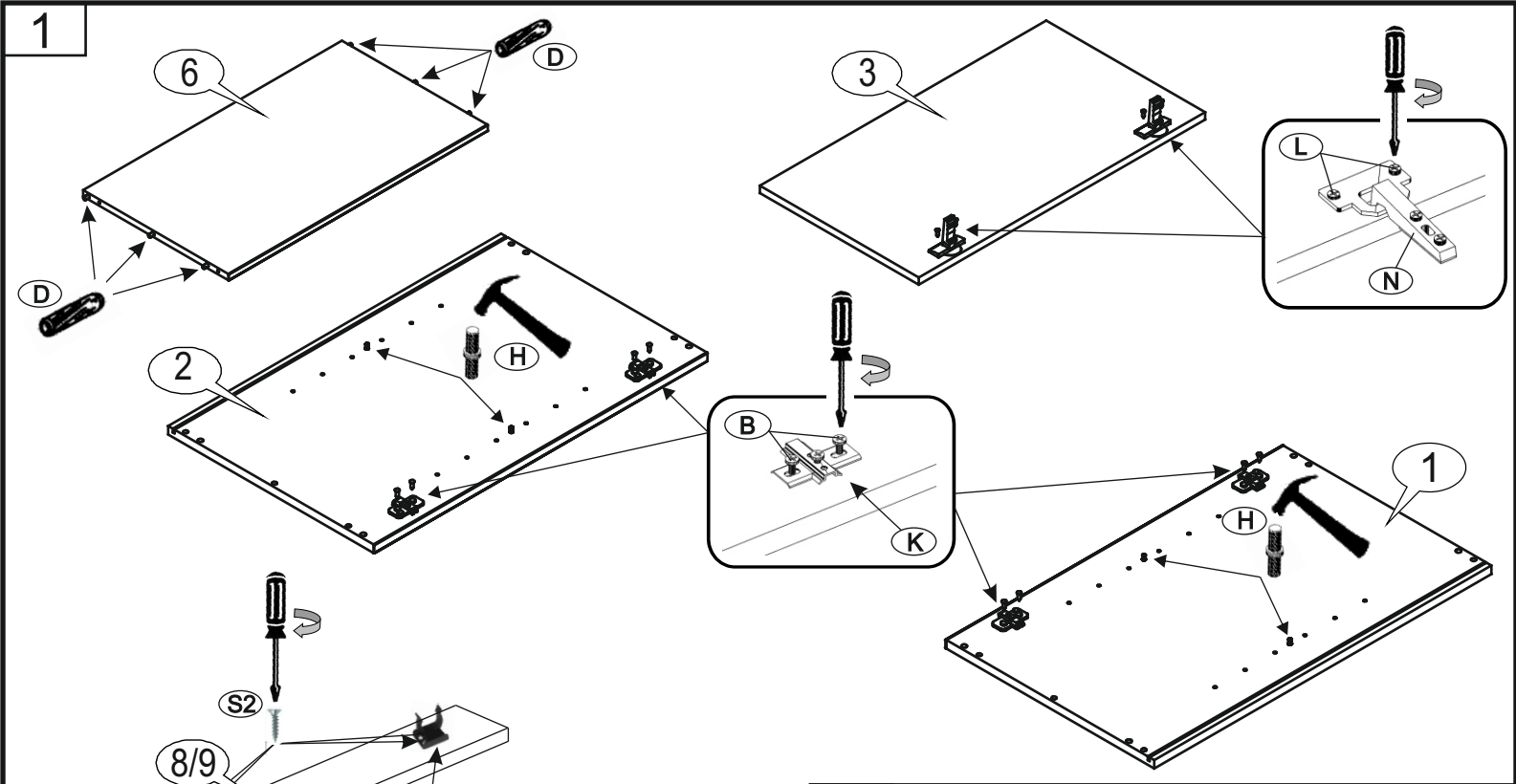


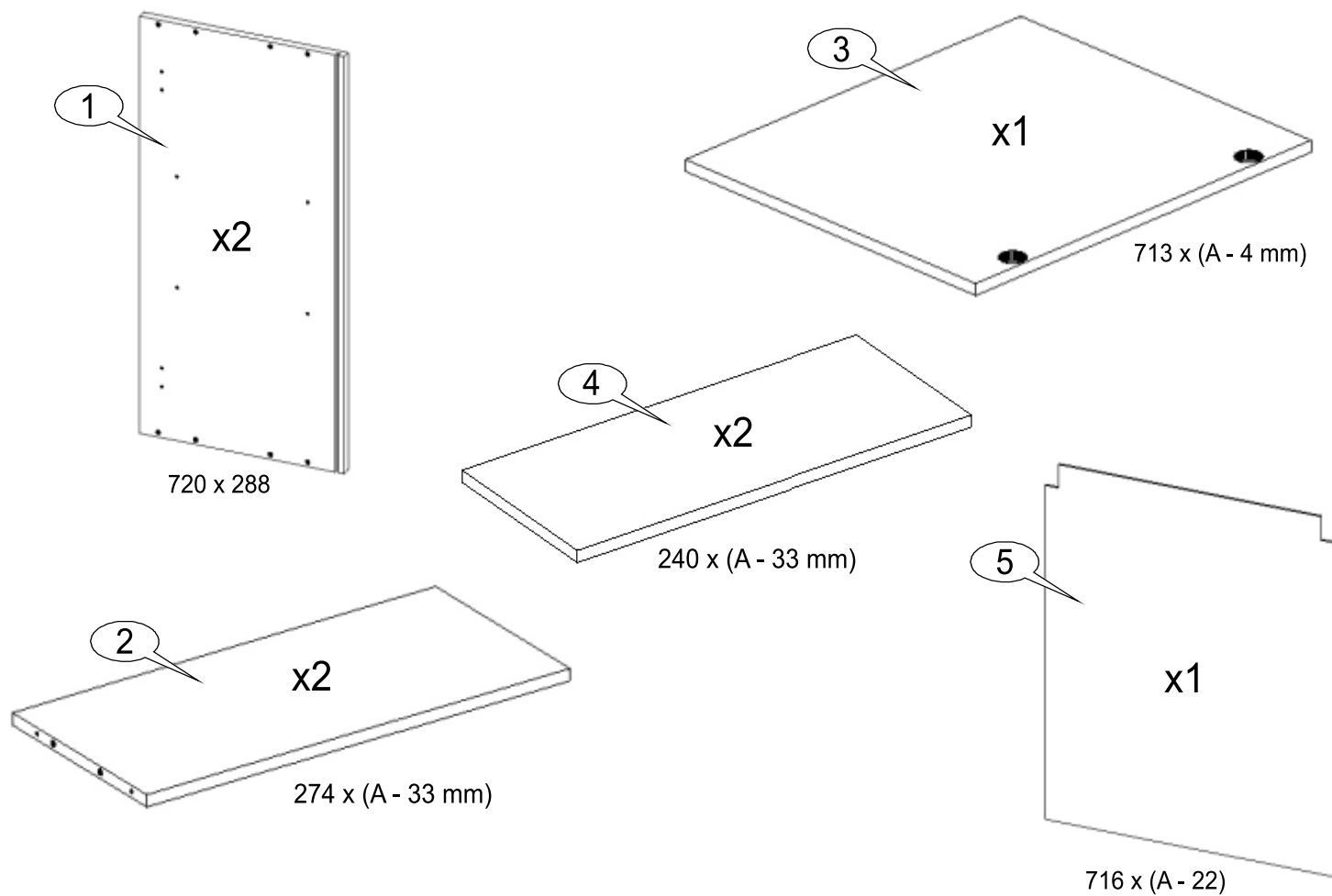
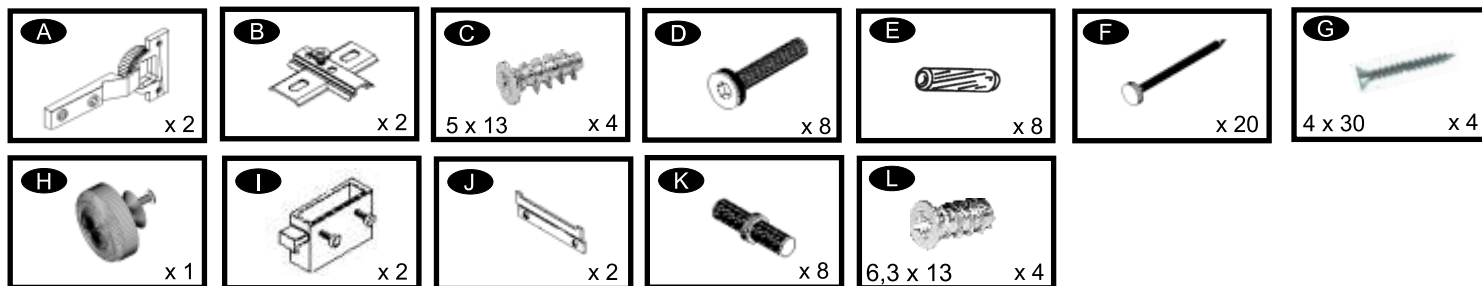
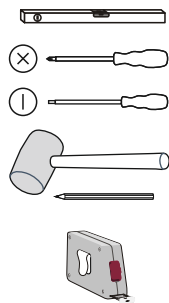
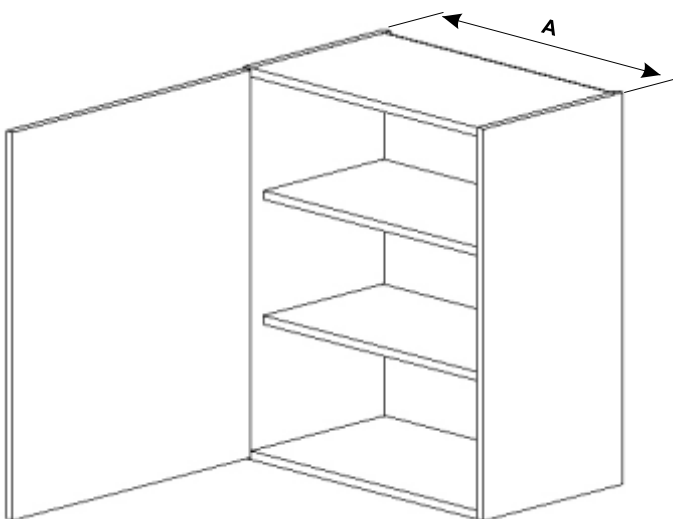
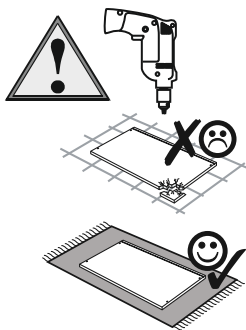
716 x (A/2 - 11 mm)

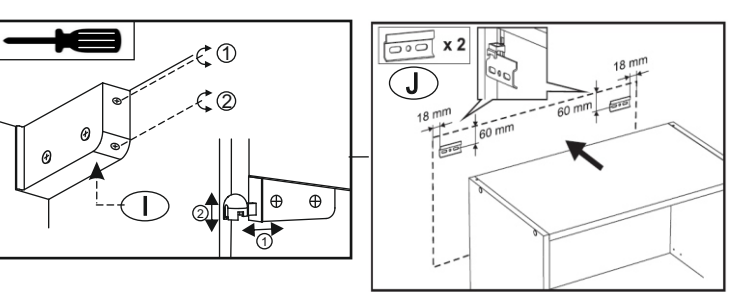
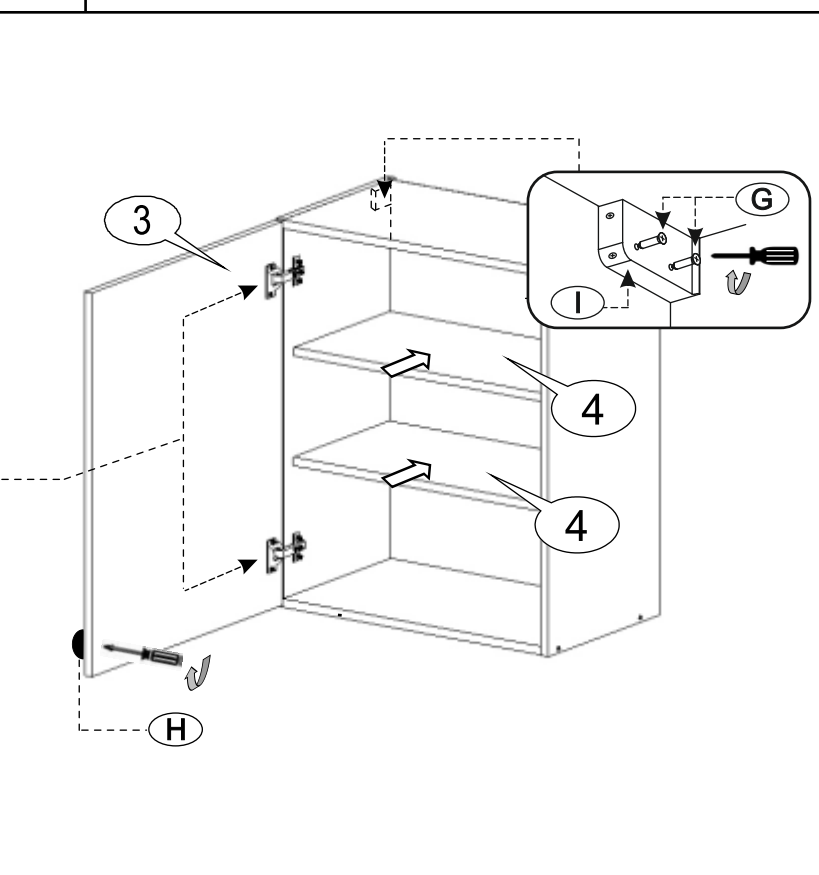
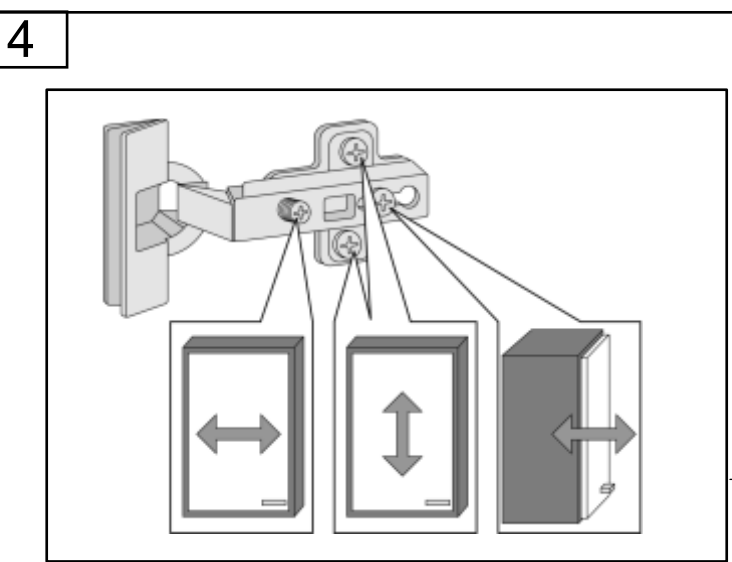
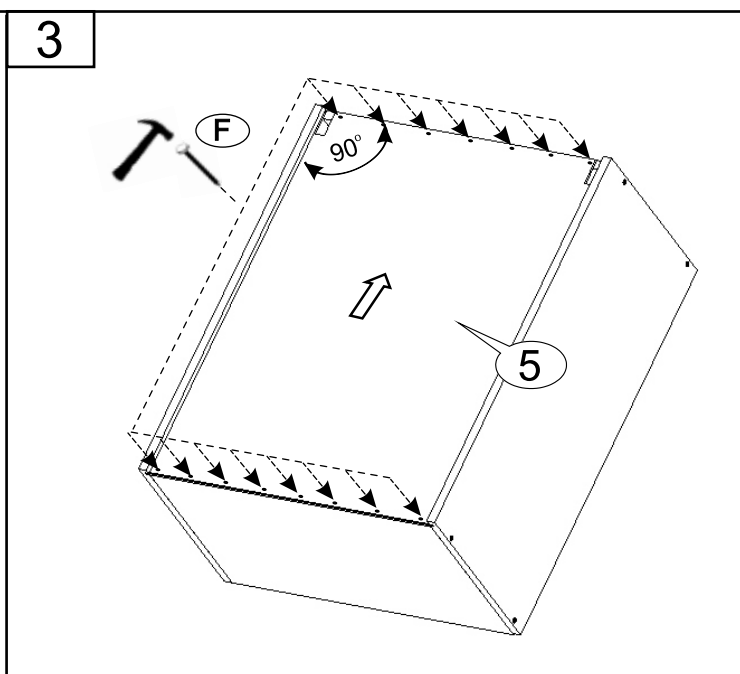
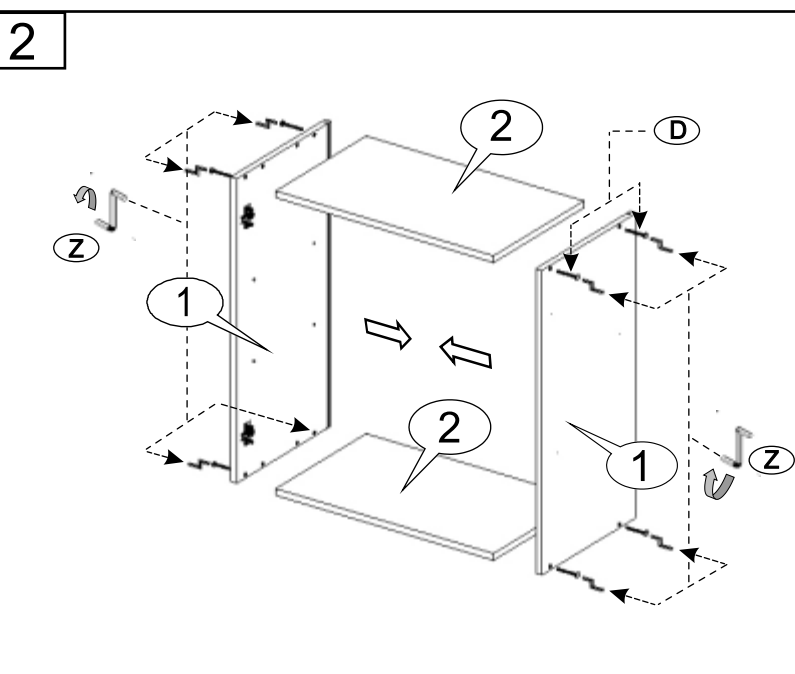
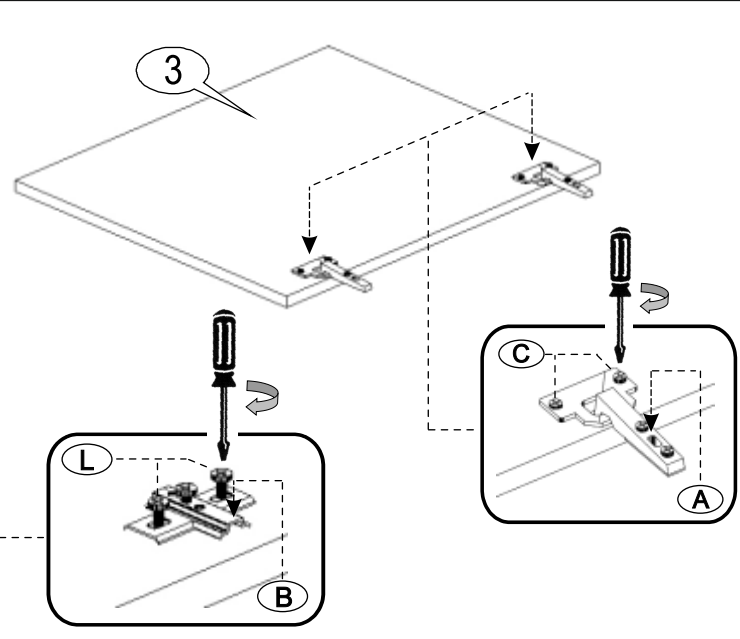
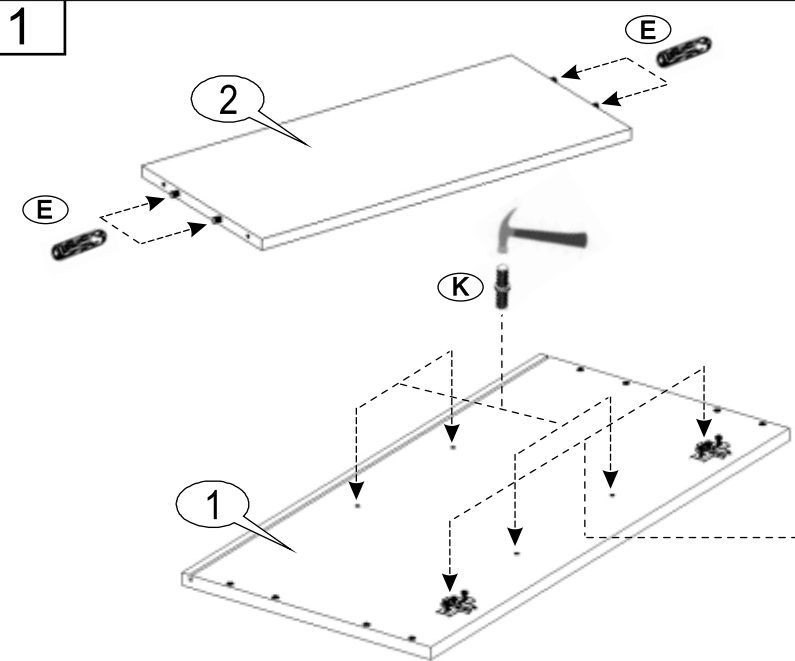
100 x (A)

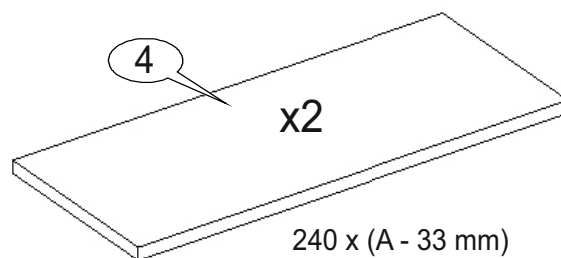
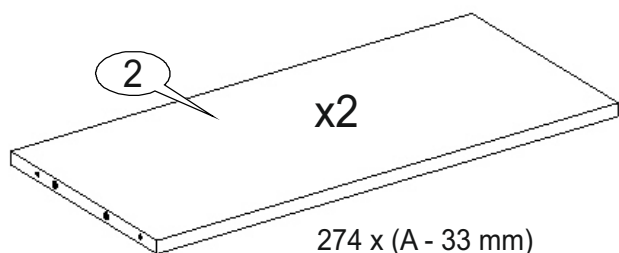
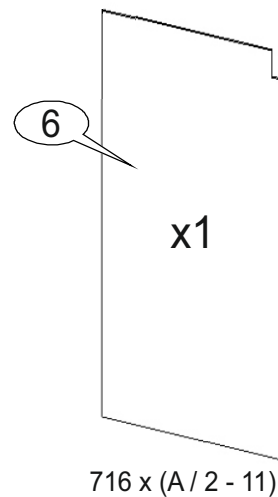
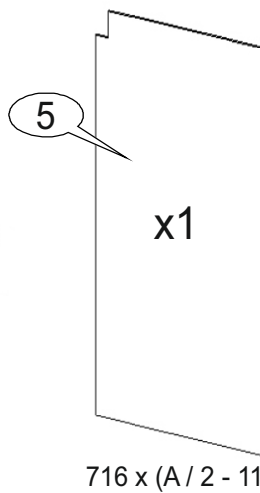
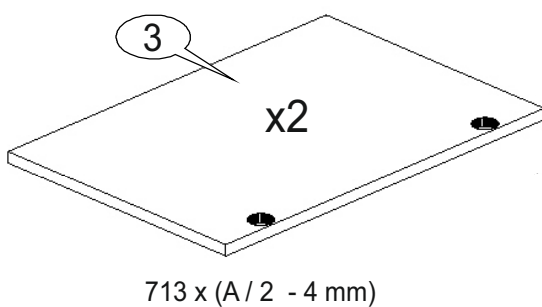
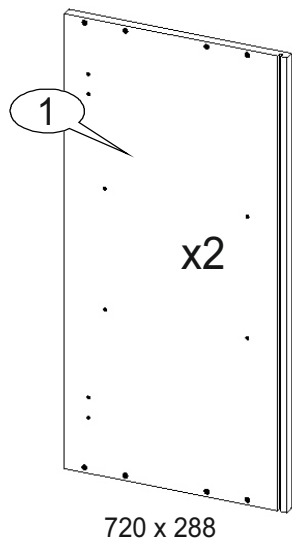
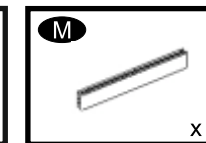
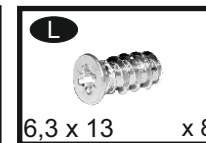
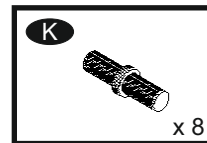
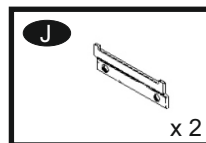
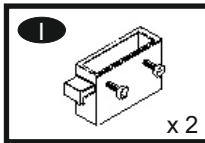
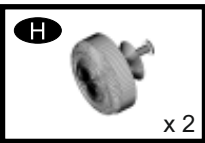
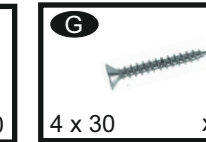
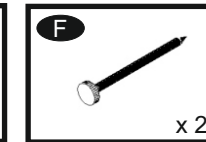
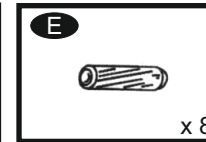
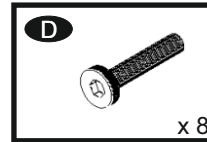
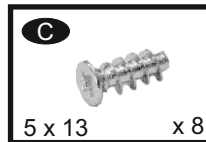
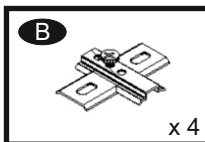
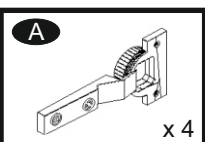
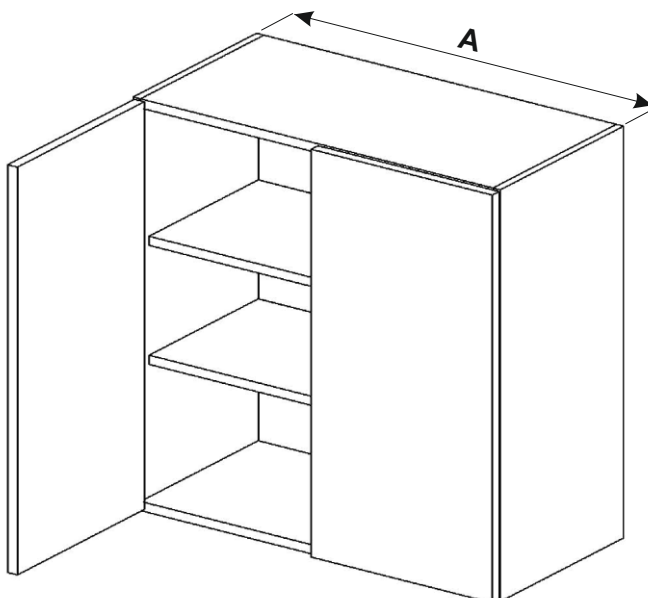
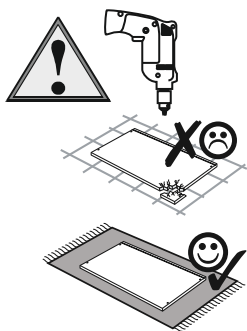
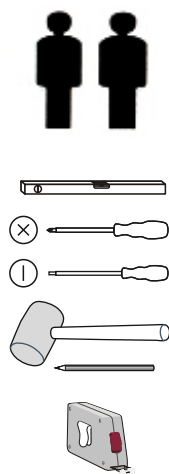
80 x (A - 33 mm)

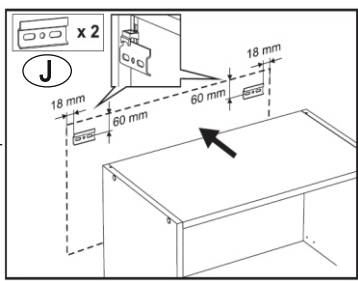
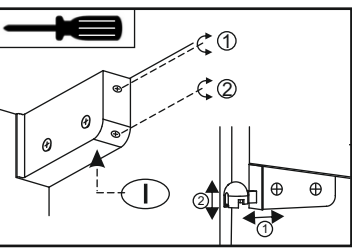
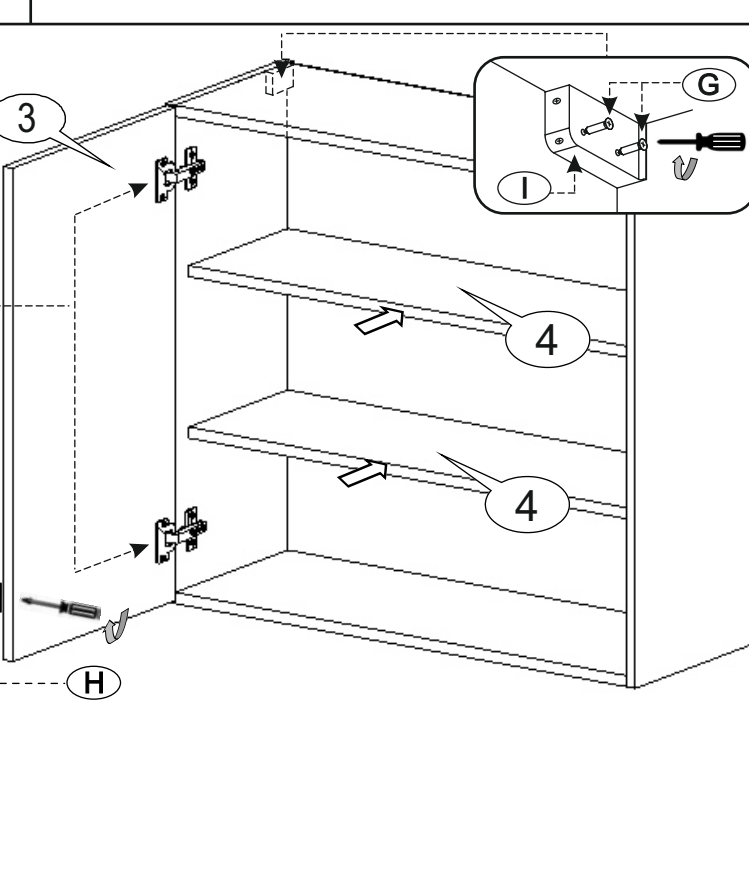
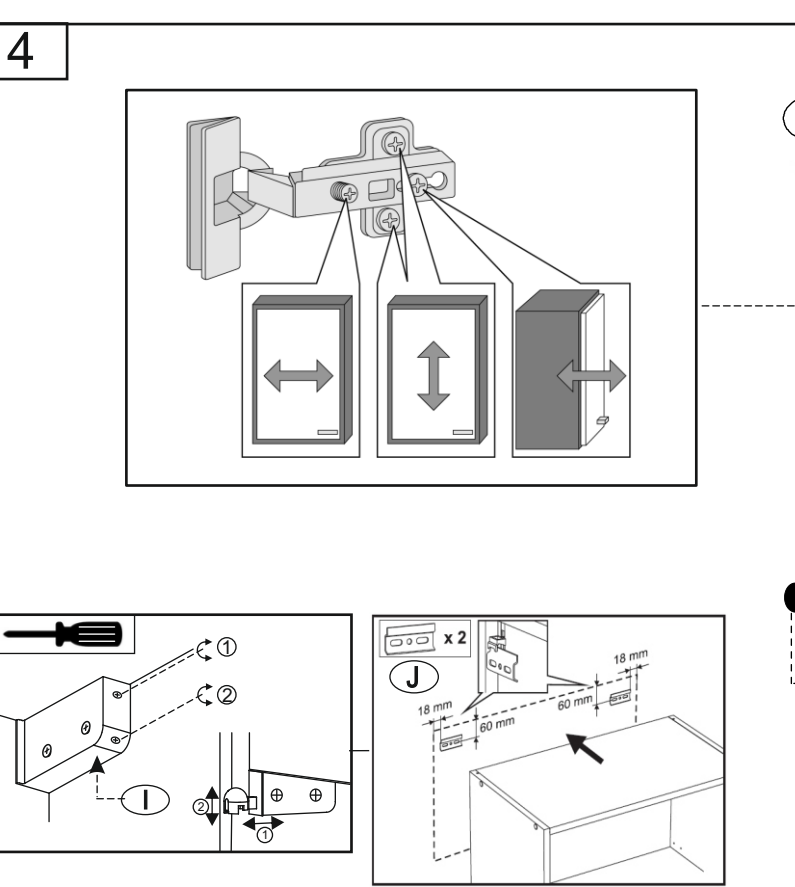
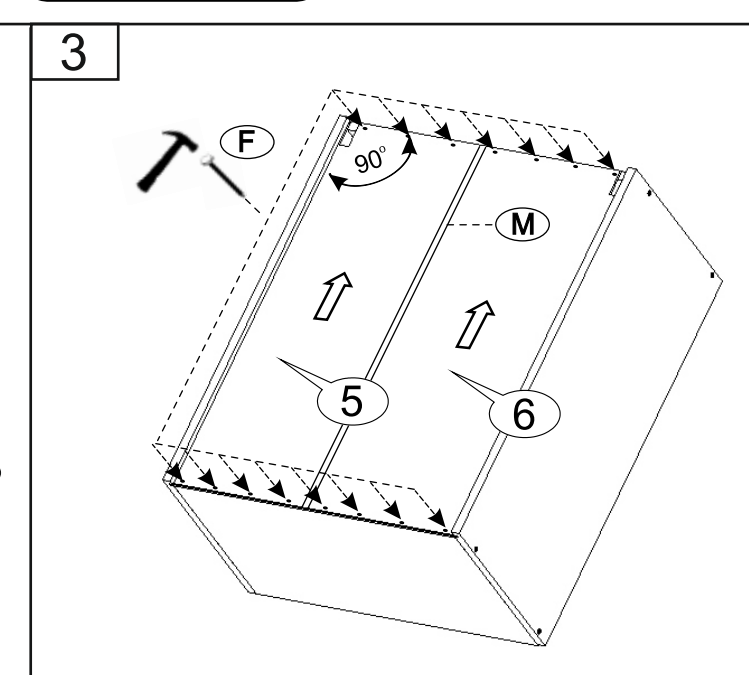
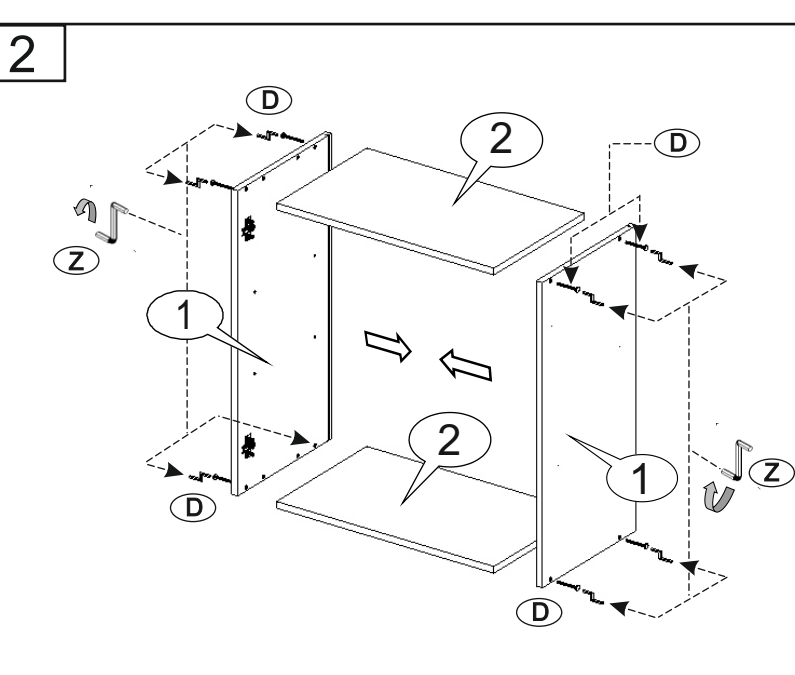
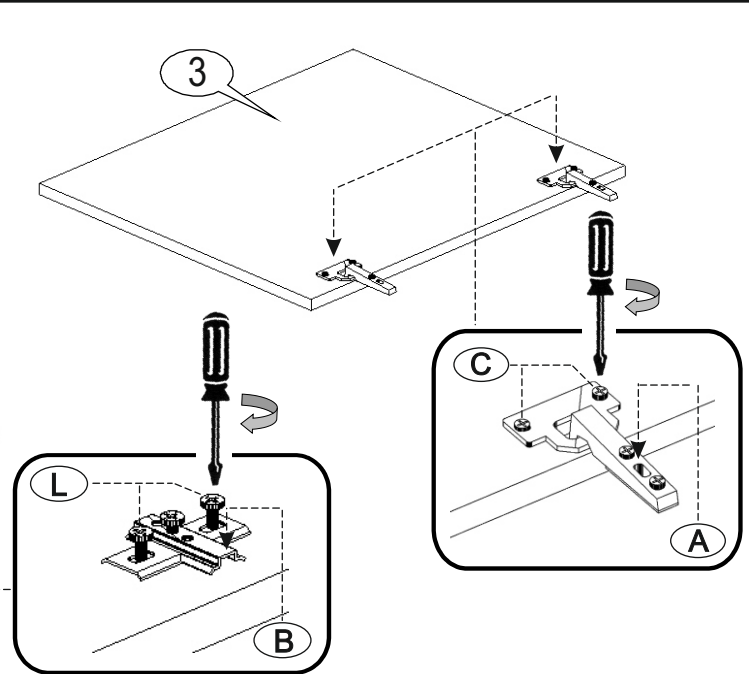
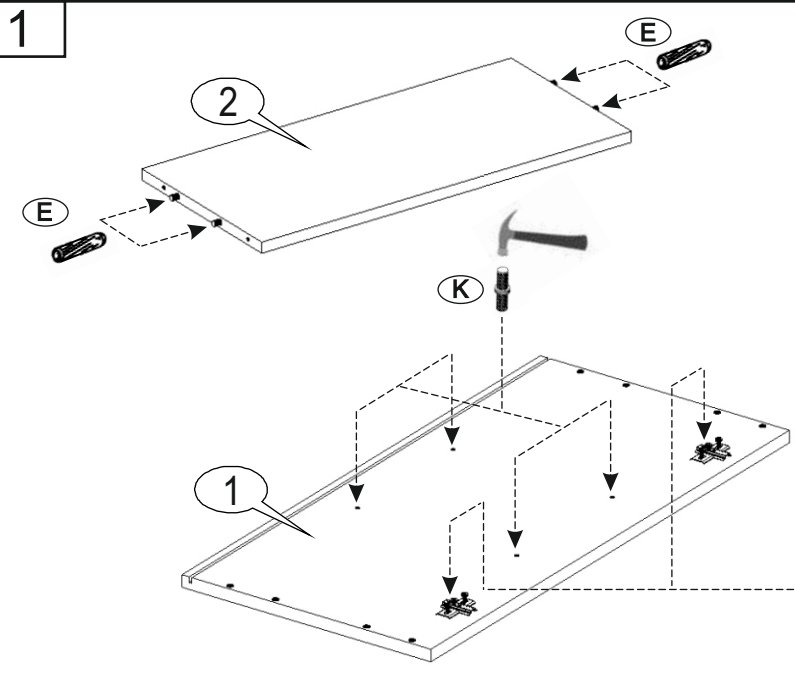
100 x 396











W60SU ALU; W80SU ALU

